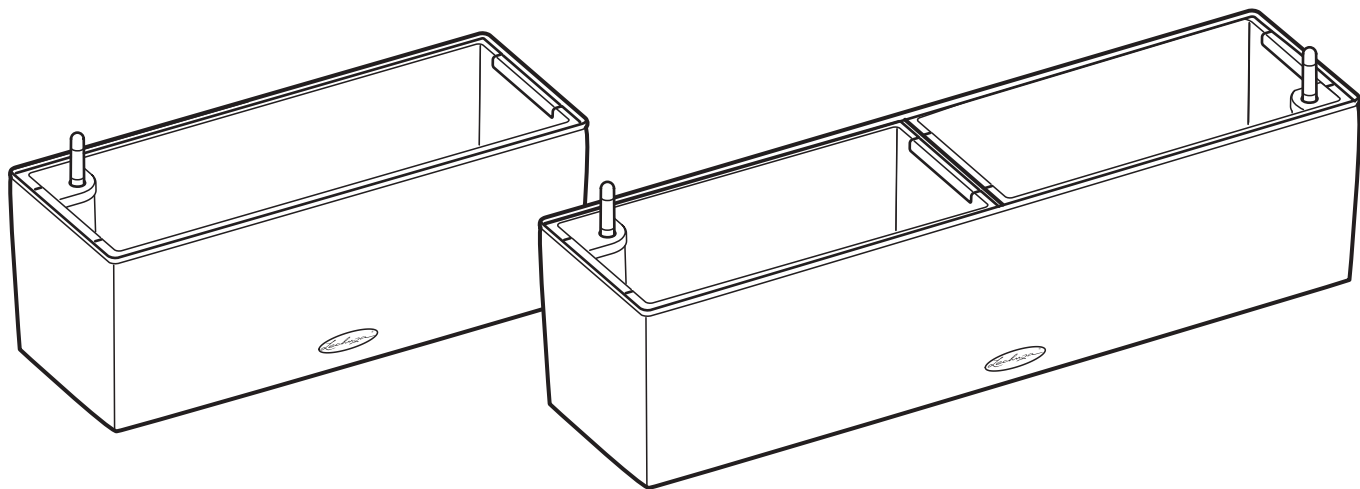
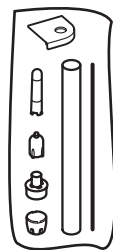
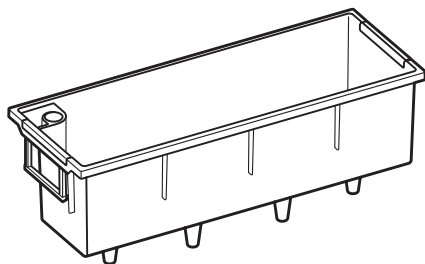
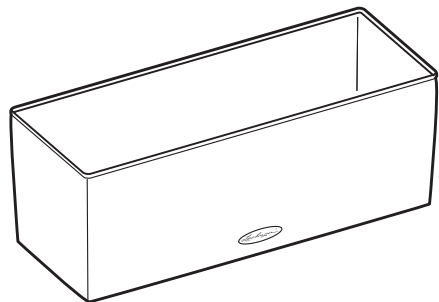


BALCONERA 50 | 80



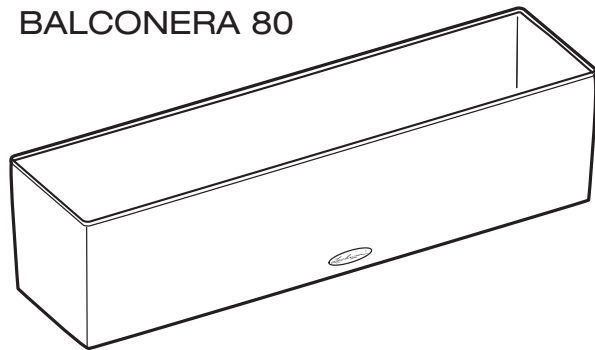
BALCONERA 50



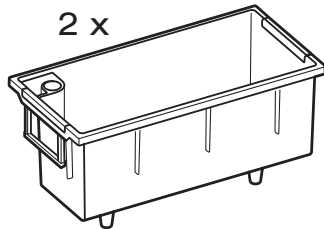
2 x 



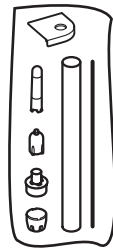
BALCONERA 80



2 x



2 x



2 x 

2 x



1

a



b



c



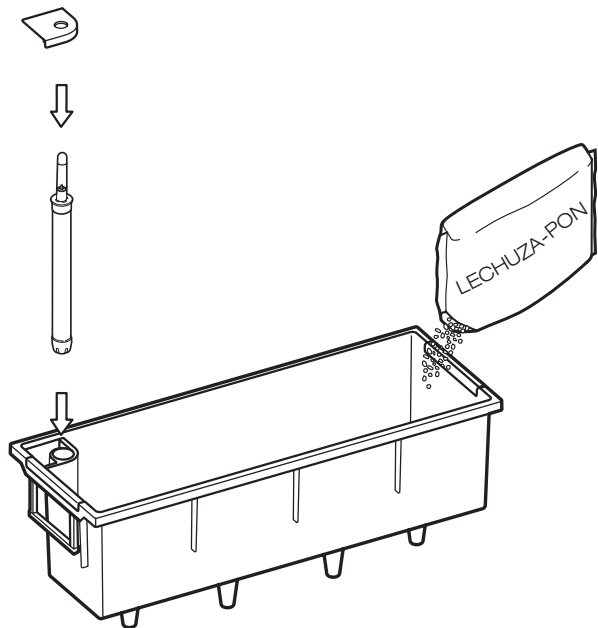
d



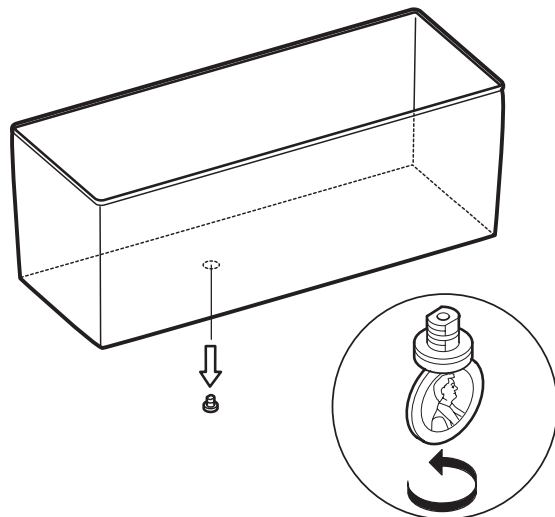
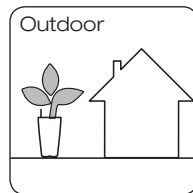
e



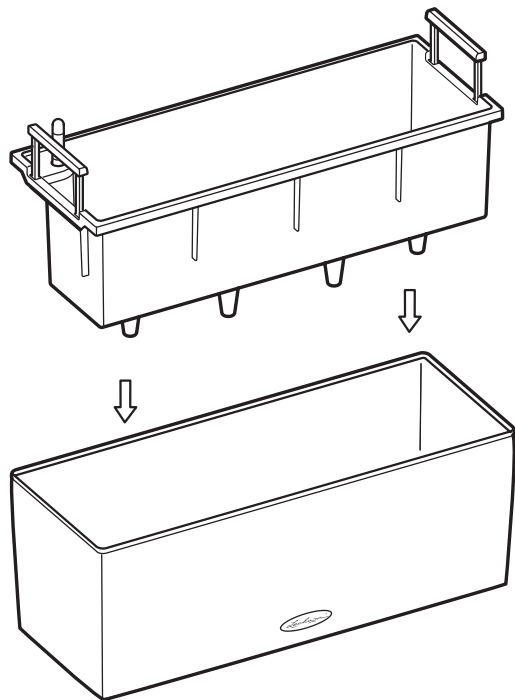
2



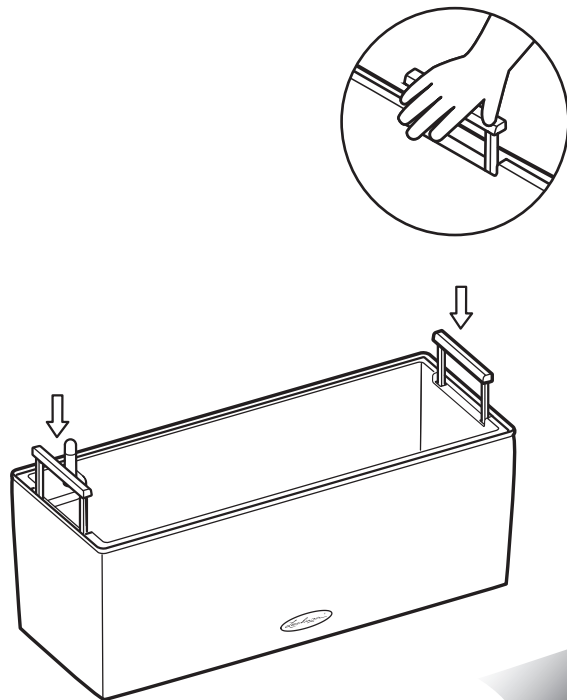
3



4



5



2 x

→